

Model 2632ES

SCISSOR LIFTS

Performance

| | |
|--|-------------------------|
| • Working Height | 9.77 m |
| • Platform Height – Elevated | 7.77 m |
| A. Stowed Height | 2.37 m |
| B. Platform Railing Height | 1.10 m |
| C. Stowed Height (Rails Folded) ¹ | 1.98 m |
| D. Platform Size (W x L) | 0.76 m x 2.30 m |
| E. Deck Extension | 0.90 m |
| F. Overall Width | 0.81 m |
| G. Overall Length | 2.30 m |
| H. Wheelbase | 1.88 m |
| I. Ground Clearance | 0.09 m |
| • Platform Capacity ² | 230 kg |
| • Capacity on Optional Deck Extension | 120 kg |
| • Lift/Lower Time | 40/40 sec. |
| • Maximum Drive Height | 7.77 m |
| • Machine weight ³ | 2,135 kg |
| • Maximum Ground Bearing Pressure | 6.33 kg/cm ² |
| • Drive Speed – Lowered | 4.4 km/h |
| • Gradeability | 25% |
| • Turning Radius – Inside | Zero |
| • Turning Radius – Outside | 2.06 m |

¹ Folding rails standard on all ES models in CE spec.

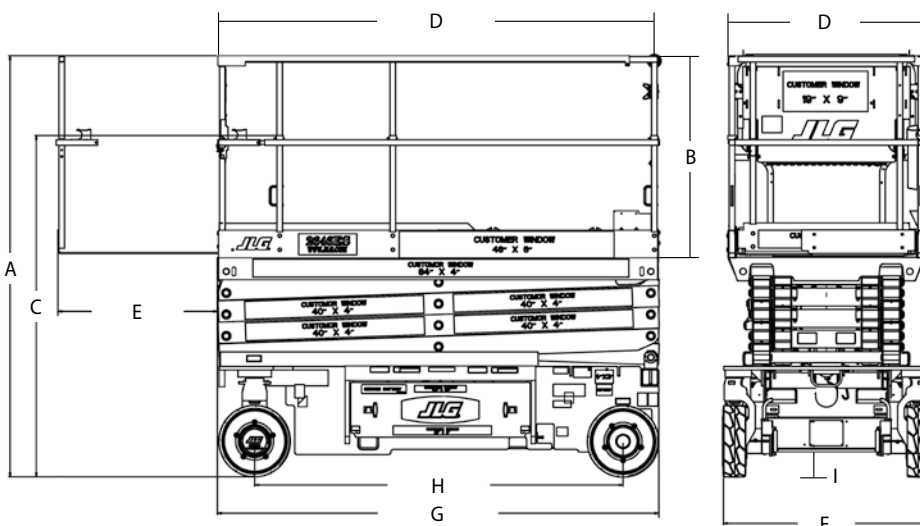
² Capacities shown are maximum with 2 persons indoor on all models. Outdoor ratings are:

1930ES – 1 person / 120 kg; 2030ES – 1 person / 160 kg;

³ Certain options or country standards may increase weight and/or dimensions.



Dimensions



IMPORTANT

JLG is continually researching and developing products and reserves the right to make modifications without prior notice. All data in this document is indicative. Certain options or country standards will increase weight. Specifications may change to meet country standards or with the addition of optional equipment.

Due to continuous product improvements, JLG Industries reserves the right to make specification and/or equipment changes without prior notification.

JLG®

JLG EMEA BV

Polaris Avenue 63
2132 JH Hoofddorp
The Netherlands
Tel: +31 (0)23 565 5665
Fax: +31 (0)23 557 3750
www.jlg.com

An Oshkosh Corporation Company