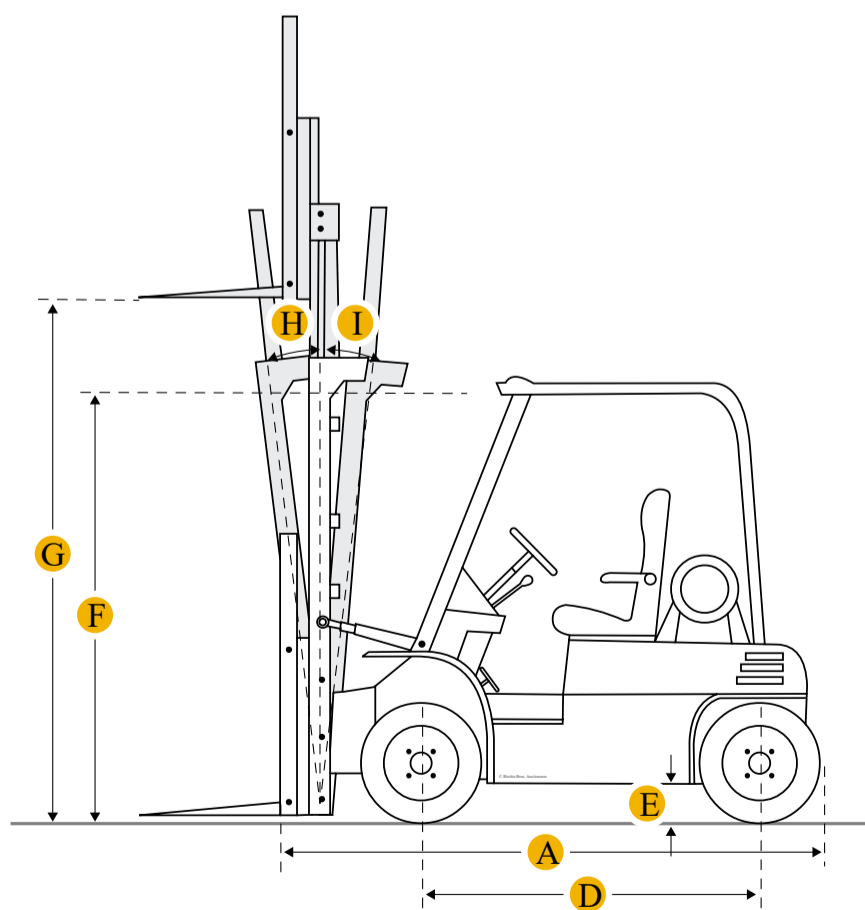
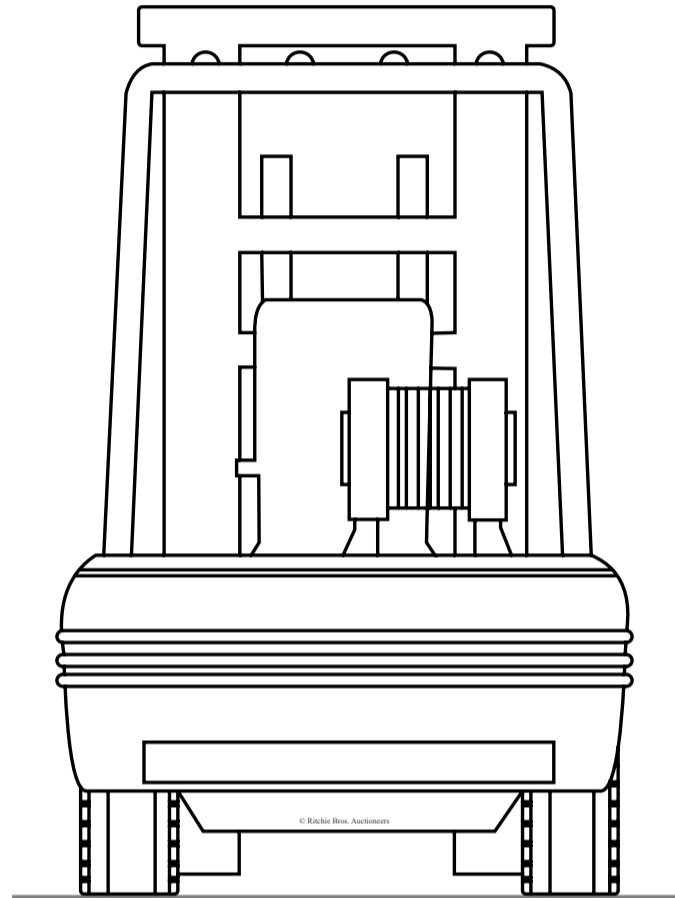
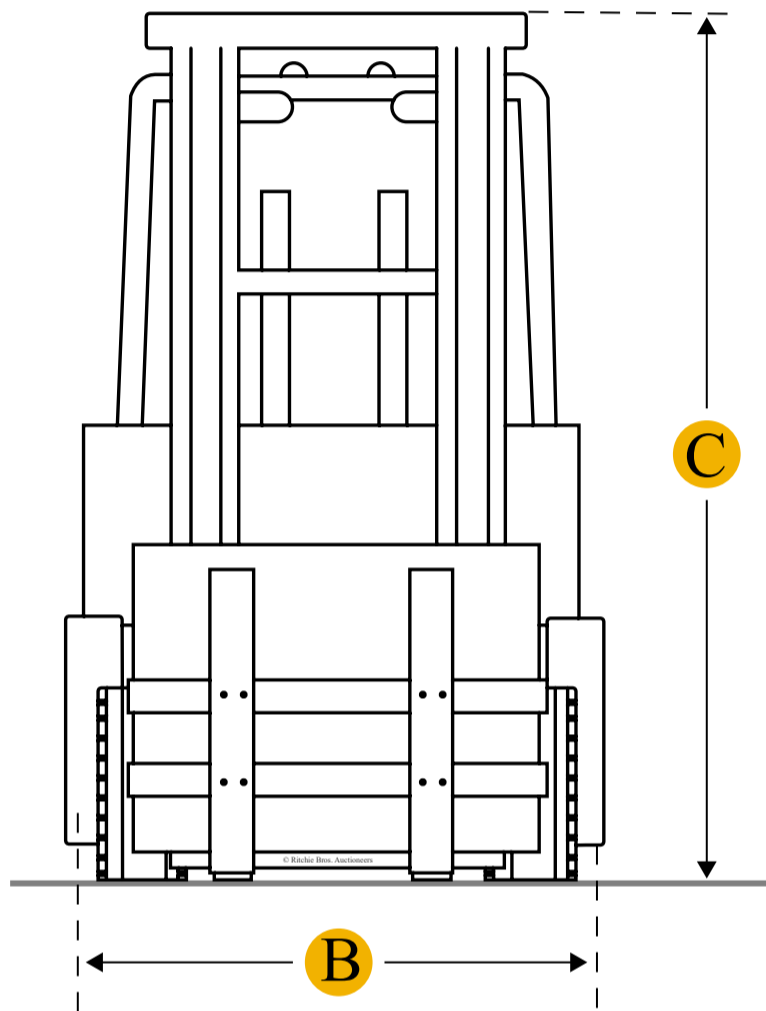


Doosan GC25E Forklift



Units

Imperial

Metric

Dimensions

A	Length To Fork Face	7.44 ft in
B	Overall Width	3.65 ft in
F	Height To Top Of Overhead Guard	7.09 ft in
	Turning Radius	6.71 ft in

Mast

Load Capacity	5000 lb
Load Center	24 in

Specifications

Engine

Engine Make	2251
Power	51.3 hp
Power Measured @	2500 rpm
Displacement	146.5 cu in
Fuel Type	LP

Operational

Tire Type	cushion
Number Of Front Wheels	2
Number Of Rear Wheels	2
Max Speed	11.2 mph

Compare similar models

Manufacturer/Model	Load Capacity	Power
<input type="checkbox"/> Hyster S50FT (Fortis Advance)	5000 lb	51 hp
<input type="checkbox"/> Doosan G25E	5000 lb	51.3 hp
<input type="checkbox"/> Toyota 8FGCU25	5000 lb	51 hp