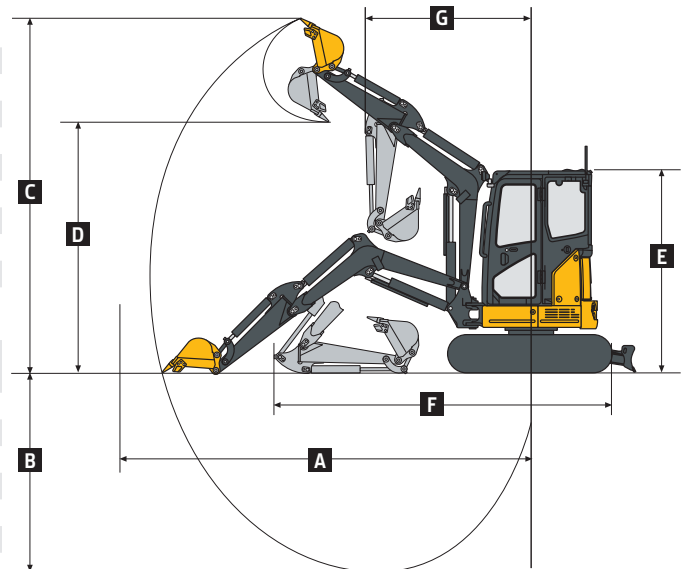


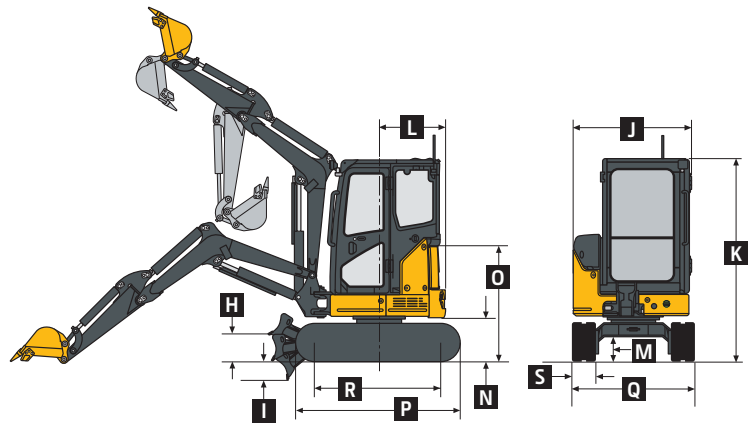
# 26G COMPACT EXCAVATOR SPECIFICATIONS

<b>Engine</b>		<b>26G</b>	
Manufacturer and Model	Yanmar 3TNV80F	Displacement	1.267 L (77 cu. in.)
Non-Road Emission Standard	EPA Final Tier 4/EU Stage IV	Net Power (ISO 9249)	14.9 kW (20.0 hp) at 2,500 rpm
<b>Powertrain</b>			
Each track independently driven by hydrostatic axial-piston motor connected to 2-stage planetary gear reduction box			
<b>Maximum Travel Speed</b>		Swing Speed	9.1 rpm
Low	2.9 km/h (1.8 mph)	Swing Brake	Spring applied, hydraulically released, automatic
High	4.5 km/h (2.8 mph)		
<b>Hydraulics</b>			
Open center with 2 variable-displacement pumps, 1 fixed gear pump, and 1 pilot pump		Auxiliary Flow	46.18 L/m (12.2 gpm)
<b>Pump Flow</b>		Controls	Hydraulic pilot operated for boom, arm, bucket, swing, boom swing, blade, travel, and auxiliary functions
Piston	2 x 36.0 L/m (2 x 7.9 gpm)		
Gear	16.28 L/m (4.3 gpm)		
<b>Electrical</b>			
Alternator Rating	40 amp		
<b>Work Lights</b>			
2 halogen, 1 mounted on operator station, and 1 mounted on boom			
<b>Undercarriage</b>			
2-speed axial-piston propel motors			
Tracks, Rubber	300 mm (12 in.)		
Ground Pressure With 1.17-m (3 ft. 10 in.) Standard Arm, Standard Counterweight, and Rubber Track			
Canopy	25.0 kPa (3.6 psi)		
Cab	25.9 kPa (3.8 psi)		
<b>Upperstructure</b>			
Independent Swing Boom With 1.17-m (3 ft. 10 in.) Standard Arm	<i>Canopy and 241-kg (531 lb.) Standard Counterweight</i>	<i>Cab and 208-kg (459 lb.) Standard Counterweight</i>	
Left	70 deg.	70 deg.	
Right	60 deg.	60 deg.	
<b>Serviceability</b>			
<b>Refill Capacities</b>		<b>Refill Capacities (continued)</b>	
Fuel Tank	34.07 L (9.0 gal.)	Engine Oil With Filter	3.69 L (3.9 qt.)
Cooling System	3.12 L (3.3 qt.)	Hydraulic Tank	23.85 L (6.3 gal.)
<b>Operating Weights</b>			
With 1.17-m (3 ft. 10 in.) Standard Arm, Rubber Track, Standard Counterweight, Full Fuel Tank, and 79-kg (175 lb.) Operator			
Canopy	2620 kg (5,780 lb.)		
Cab	2770 kg (6,110 lb.)		
<b>Operating Dimensions</b>			
1.17-m (3 ft. 10 in.) Standard Arm and Standard Counterweight			
	<i>Canopy</i>	<i>Cab</i>	
<b>A</b> Maximum Digging Reach	4.63 m (15 ft. 2 in.)	4.63 m (15 ft. 2 in.)	
<b>B</b> Maximum Digging Depth	2.59 m (8 ft. 6 in.)	2.59 m (8 ft. 6 in.)	
<b>C</b> Maximum Cutting Height	4.44 m (14 ft. 7 in.)	4.28 m (14 ft. 1 in.)	
<b>D</b> Maximum Dumping Height	3.19 m (10 ft. 6 in.)	3.04 m (10 ft. 0 in.)	
<b>E</b> Transport Height	2.43 m (8 ft. 0 in.)	2.43 m (8 ft. 0 in.)	
<b>F</b> Overall Length			
Blade in Front	4.18 m (13 ft. 9 in.)	4.18 m (13 ft. 9 in.)	
Blade in Rear	4.48 m (14 ft. 8 in.)	4.48 m (14 ft. 8 in.)	
<b>G</b> Minimum Swing Radius	1.92 m (6 ft. 4 in.)	2.01 m (6 ft. 7 in.)	
<b>H</b> Blade Bottom Highest Position <i>(see line art at top right of page 7)</i>	0.32 m (13 in.)	0.32 m (13 in.)	
<b>I</b> Blade Bottom Lowest Position <i>(see line art at top right of page 7)</i>	0.32 m (12 in.)	0.32 m (12 in.)	
Boom-Swing Pivot-Offset Distance	0.09 m (3 in.)	0.09 m (3 in.)	
<b>Offset Distance</b>			
Left	0.56 m (22 in.)	0.56 m (22 in.)	
Right	0.70 m (28 in.)	0.70 m (28 in.)	
<b>Digging Force</b>			
Bucket	22.21 kN (4,994 lb.)	22.21 kN (4,994 lb.)	
Arm	15.17 kN (3,410 lb.)	15.17 kN (3,410 lb.)	



While general information, pictures, and descriptions are provided, some illustrations and text may include product options and accessories NOT AVAILABLE in all regions, and in some countries products and accessories may require modifications or additions to ensure compliance with the local regulations of those countries.

Machine Dimensions		26G	
Blade			
Width	1.50 m (4 ft. 11 in.)		
Height	320 mm (12.6 in.)		
1.17-m (3 ft. 10 in.) Standard Arm and Standard Counterweight			
J Upperstructure Width	Canopy	Cab	
K Overall Height	2.43 m (8 ft. 0 in.)		
L Rear-End Swing Radius	0.80 m (31 in.)		
M Minimum Ground Clearance	0.30 m (12 in.)		
N Counterweight Height	0.53 m (21 in.)		
O Engine Cover Height	1.49 m (4 ft. 11 in.)		
P Undercarriage Length	1.96 m (6 ft. 5 in.)		
Q Undercarriage Width	1.50 m (4 ft. 11 in.)		
R Sprocket Center to Idler Center	1.53 m (5 ft. 0 in.)		
S Track Shoe Width	0.30 m (12 in.)		



Lift Capacities				
1.17-m (3 ft. 10 in.) Standard Arm, Standard Counterweight, and Rubber Track				
	Canopy, Over Front*	Canopy, Over Side	Cab, Over Front*	Cab, Over Side
<b>Ground Level at 3.0-m (10 ft.) Radius</b>	1200 kg (2,573 lb.)	362 kg (781 lb.)	1201 kg (2,592 lb.)	394 kg (850 lb.)

\*Blade down (limited by hydraulics).

# Additional equipment

Key: ● Standard ▲ Optional or special

See your John Deere dealer for further information.

26G Engine
● Meets EPA Final Tier 4/EU Stage IV emissions
● Engine coolant to -37 deg. C (-34 deg. F)
● Engine preheater
● Fan guard
● Fuel/water separator
● Full-flow oil filter
● Isolation mounted
● Key start switch with electric fuel shutoff
● Single dry-type air filter
● Under-hood muffler
Hydraulic System
● Auxiliary function right-hand pilot-lever control
● Auxiliary hydraulic lines to end of boom
● Auxiliary selector valve
● Axial-piston swing motor
● Boom-swing foot control
● Excavator-to-backhoe control pattern change valve
● Open center with 2 variable-displacement pumps, 1 fixed-gear pump, and 1 pilot pump
● Hydraulic pilot-operated controls for boom, arm, bucket, swing, boom swing, blade, and travel
● Wet-disc swing brake

26G Undercarriage
● Planetary final drive
● Propel motor shield
● 2-speed axial-piston propel motors
● Rubber track, 300 mm (12 in.)
Upperstructure
● 360-deg. rotation
● Counterweight, cab, 208 kg (459 lb.)
● Counterweight, canopy, 241 kg (531 lb.)
● Hinged service-access doors
● ROPS/TOPS/FOPS (canopy)
▲ ROPS/TOPS/FOPS (cab) with heater
● Vandal protection for service doors and fuel cap
● Reduced-tail-swing configuration
Front Attachments
● Arm, 1.17 m (3 ft. 10 in.)
● Backfill blade, 1.50 m (4 ft. 11 in.)
● Boom, 2.10 m (6 ft. 11 in.)
● Mechanical quick-coupler
▲ Augers: Planetary / Chain drive / Bits / Bit adapters
▲ Clamp
▲ Hammers: Points / Tools
▲ Quick-coupler buckets: Bucket teeth / Ditching / Heavy-duty

26G Operator's Station
● Horn
● Hour meter
● Instrumentation lights
● Mode selectors (illuminated): Power mode (I) / Eco mode (I)
● Monitor system: Preheat indicator / Engine oil pressure warning light / Alternator charge warning light / Fuel gauge and low-fuel-level indicator / Engine coolant warning light and alarm / Hour meter / Work lights indicator
● Motion alarm with cancel switch
● Work lights switch
● Propel levers and foldable pedals
● 2 travel speeds with automatic shifting
● Seat belt, 51 mm (2 in.), retractable
● Suspension seat, vinyl, with fore/aft adjustment
▲ Front screen
Electrical
● 12-volt accessory outlet
● Alternator, 40 amp
● Low-maintenance battery
● Blade-type multi-fused circuits
● Positive-terminal battery covers
Lights
● Work lights: Halogen / 1 mounted on operator's station / 1 mounted on boom

While general information, pictures, and descriptions are provided, some illustrations and text may include product options and accessories NOT AVAILABLE in all regions, and in some countries products and accessories may require modifications or additions to ensure compliance with the local regulations of those countries.

Net engine power is with standard equipment including air cleaner, exhaust system, alternator, and cooling fan at test conditions per ISO 9249. These machines are not equipped with spark-arrestor mufflers. Usage in forestry applications is not recommended. Specifications and design subject to change without notice. Wherever applicable, specifications are in accordance with SAE standards. Except where otherwise noted, these specifications are based on a canopy unit with standard arm, 457-mm (18 in.) bucket, 300-mm (12 in.) rubber track, 208-kg (459 lb.) cab counterweight or 241-kg (531 lb.) canopy counterweight, full fuel tank; and 79-kg (175 lb.) operator.