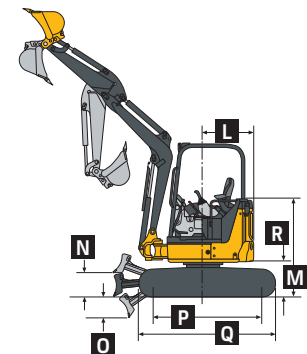
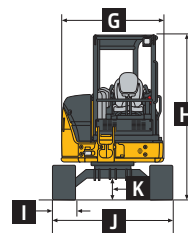
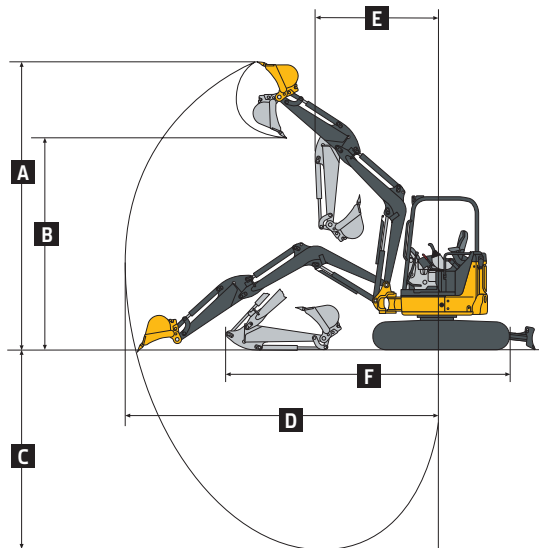


35G COMPACT EXCAVATOR SPECIFICATIONS

Engine		35G		
Manufacturer and Model	Yanmar 3TNV88F	Displacement	1.642 L (100.2 cu. in.)	
Non-Road Emission Standard	EPA Final Tier 4/EU Stage IV	Net Power (ISO 9249)	17.4 kW (23.3 hp) at 2,400 rpm	
Powertrain				
Each track independently driven by hydrostatic axial-piston motor connected to 2-stage planetary gear-reduction box				
Maximum Travel Speed	Low: 2.8 km/h (1.7 mph) / High: 4.3 km/h (2.7 mph)			
Hydraulics				
Open center with 2 variable-displacement pumps and 1 fixed-gear pump				
Pump Flow			Controls	
Piston	2 x 38.4 L/m (2 x 10.1 gpm)		2 hydraulic pilot-operated controls for boom, arm, bucket, swing, boom swing, travel, and auxiliary functions	
Gear	22.8 L/m (6.0 gpm)			
Auxiliary Flow	61.2 L/m (16.2 gpm)			
Electrical				
Alternator Rating	55 amp			
Work Lights	2 halogen: 1 mounted on operator's station and 1 mounted on boom			
Undercarriage				
Track, Rubber	300 mm (12 in.)			
Ground Pressure				
	1315-mm (4 ft. 4 in.) Standard Arm and Standard Counterweight		1715-mm (5 ft. 8 in.) Long Arm and Extra Counterweight	
	With Canopy	With Cab	With Canopy	With Cab
With Rubber Track	32.0 kPa (4.6 psi)	33.0 kPa (4.8 psi)	33.7 kPa (4.9 psi)	35.2 kPa (5.1 psi)
Upperstructure				
Swing Speed	9.0 rpm			
Independent Swing Boom	Canopy	Cab		
Left	72 deg.	62 deg.		
Right	62 deg.	62 deg.		
Swing Brake	Spring applied, hydraulically released, automatic, disc type			
Serviceability				
Refill Capacities		Refill Capacities (continued)		
Fuel Tank	42 L (11.1 gal.)	Engine Oil With Filter	7.2 L (7.6 qt.)	
Cooling System	5.0 L (5.3 qt.)	Hydraulic Tank	32 L (8.5 gal.)	
Operating Weights				
	1315-mm (4 ft. 4 in.) Standard Arm and Standard Counterweight		1715-mm (5 ft. 8 in.) Long Arm and Extra Counterweight	
	With Canopy	With Cab	With Canopy	With Cab
With Full Fuel Tank and 79-kg (175 lb.) Operator	3520 kg (7760 lb.)	3690 kg (8,135 lb.)	3783 kg (8,340 lb.)	3953 kg (8,715 lb.)
Optional Angle Blade Counterweight	296 kg (653 lb.)	296 kg (653 lb.)	296 kg (653 lb.)	296 kg (653 lb.)
Standard	540 kg (1,190 lb.)	540 kg (1,190 lb.)	540 kg (1,190 lb.)	540 kg (1,190 lb.)
Additional	240 kg (529 lb.)	240 kg (529 lb.)	240 kg (529 lb.)	240 kg (529 lb.)
Operating Dimensions				
	1315-mm (4 ft. 4 in.) Standard Arm and Canopy	1315-mm (4 ft. 4 in.) Standard Arm and Cab	1715-mm (5 ft. 8 in.) Long Arm and Canopy	1715-mm (5 ft. 8 in.) Long Arm and Cab
A	4.87 m (16 ft. 0 in.)	4.70 m (15 ft. 5 in.)	4.95 m (16 ft. 3 in.)	4.74 m (15 ft. 7 in.)
B	3.46 m (11 ft. 4 in.)	3.31 m (10 ft. 10 in.)	3.57 m (11 ft. 9 in.)	3.39 m (11 ft. 1 in.)
C	3.06 m (10 ft. 0 in.)	3.06 m (10 ft. 0 in.)	3.46 m (11 ft. 4 in.)	3.46 m (11 ft. 4 in.)
D	5.21 m (17 ft. 1 in.)	5.21 m (17 ft. 1 in.)	5.52 m (18 ft. 1 in.)	5.52 m (18 ft. 1 in.)
E	2.08 m (6 ft. 10 in.)	2.24 m (7 ft. 4 in.)	2.19 m (7 ft. 2 in.)	2.30 m (7 ft. 7 in.)
F	4.64 m (15 ft. 3 in.)	4.64 m (15 ft. 3 in.)	4.75 m (15 ft. 7 in.)	4.75 m (15 ft. 7 in.)
Digging Force (ISO)				
Arm	19.0 kN (4,277 lb.)	19.0 kN (4,277 lb.)	16.9 kN (3,792 lb.)	16.9 kN (3,792 lb.)
Bucket	27.1 kN (6,085 lb.)	27.1 kN (6,085 lb.)	27.1 kN (6,085 lb.)	27.1 kN (6,085 lb.)



While general information, pictures, and descriptions are provided, some illustrations and text may include product options and accessories NOT AVAILABLE in all regions, and in some countries products and accessories may require modifications or additions to ensure compliance with the local regulations of those countries.

Machine Dimensions (see line art at bottom right of page 6)		35G	
G Upperstructure Width	1.55 m (5 ft. 1 in.)	M Engine Cover Height	1.53 m (5 ft. 0 in.)
H Overall Height		N Maximum Blade Lift Above Ground	360 mm (14.2 in.)
Canopy	2.48 m (8 ft. 2 in.)	O Maximum Blade Drop Below Ground	400 mm (15.7 in.)
Cab	2.48 m (8 ft. 2 in.)	Blade	
I Track Width	300 mm (12 in.)	Width	1.74 m (5 ft. 9 in.)
J Undercarriage Width	1.74 m (5 ft. 9 in.)	Height	373 mm (14.7 in.)
K Ground Clearance	280 mm (11 in.)	P Sprocket Center to Idler Center	1.66 m (5 ft. 5 in.)
L Tail Swing Radius		Q Undercarriage Length	2.11 m (6 ft. 11 in.)
With Standard Arm	870 mm (34 in.)	R Counterweight Clearance	550 mm (22 in.)
With Long Arm and Extra Counterweight	980 mm (39 in.)		

Lift Capacities

Boldface type indicates hydraulically limited capacity; lightface type indicates stability-limited capacities, in kg (lb.). All lift capacities are based on ISO 10567 (with power boost). Lifting measurement from center of arm to bucket pin; with 400-mm (16 in.) track shoe and blade on ground; and situated on firm, level, uniform supporting surface. Total load includes weight of cables, hook, etc. Figures do not exceed 87 percent of hydraulic capacities or 75 percent of weight needed to tip machine.

	Canopy and Standard Counterweight		Cab and Standard Counterweight		Canopy and Extra Counterweight		Cab and Extra Counterweight	
	Over Front	Over Side	Over Front	Over Side	Over Front	Over Side	Over Front	Over Side
Ground Level at 3.05-m (10 ft.) Radius								
1315-mm (4 ft. 4 in.) Standard Arm	1568 kg (3,453 lb.)	641 kg (1,412 lb.)	1568 kg (3,453 lb.)	684 kg (1,506 lb.)	1568 kg (3,453 lb.)	765 kg (1,686 lb.)	1568 kg (3,453 lb.)	808 kg (1,780 lb.)
1715-mm (5 ft. 8 in.) Long Arm	1501 kg (3,307 lb.)	630 kg (1,388 lb.)	1501 kg (3,307 lb.)	672 kg (1,481 lb.)	1501 kg (3,307 lb.)	755 kg (1,662 lb.)	1501 kg (3,307 lb.)	797 kg (1,756 lb.)

Additional equipment

Key: ● Standard ▲ Optional or special See your John Deere dealer for further information.

35G Engine
● Meets EPA Final Tier 4/EU Stage IV emissions
● Auto shutdown
● Engine coolant to -37 deg. C (-34 deg. F)
● Engine preheater
● Fan guard
● Fuel/water separator
● Full-flow oil filter
● Isolation mounted
● Key start switch with electric fuel shutoff
● Single dry-type air filter
Hydraulic System
● Auto-idle
● Auxiliary function right-hand pilot-lever control
● Auxiliary hydraulic lines with quick-couplers to end of boom
● Auxiliary return-flow selector valve
● Axial-piston swing motor
● Boom-swing foot control
● Excavator-to-backhoe control pattern change valve
● Open center with 2 variable-displacement pumps and 1 fixed-gear pump
● Hydraulic pilot-operated controls for boom, arm, bucket, swing, boom swing, blade, travel, and auxiliary functions
● Wet-disc swing brake
Undercarriage
● Planetary final drive
● Propel motor shield

35G Undercarriage (continued)
● 2-speed axial-piston propel motors
● Rubber track, 300 mm (12 in.)
▲ Steel track, 300 mm (12 in.) with triple semi-grousers
▲ Rubber crawler pad, 300 mm (12 in.)
Upperstructure
● 360-deg. rotation
● Counterweight, 540 kg (1,190 lb.)
● Hinged service-access doors
● ROPS/TOPS/FOPS (canopy)
▲ ROPS/TOPS/FOPS (cab) with air conditioning and heater
● Vandal protection for service doors, fuel cap, and toolbox
● Zero-tail-swing configuration
Front Attachments
● Arm, 1315 mm (4 ft. 4 in.)
▲ Long arm, 1715 mm (5 ft. 8 in.), includes additional 240-kg (529 lb.) counterweight
● Articulation hose shield
● Backfill blade, 1.74 m (5 ft. 9 in.)
▲ Hydraulic angle backfill blade
● Boom, 2.465 m (8 ft. 1 in.)
● Mechanical quick-coupler
▲ Augers: Planetary / Chain drive / Bits / Bit adapters
▲ Clamp
▲ Hammers: Points / Tools
▲ Quick-coupler buckets: Bucket teeth / Ditching / Heavy-duty

35G Operator's Station
● Horn
● Hour meter
● Instrumentation lights
● Mode selectors (illuminated): Power mode (I) / Economy mode (I)
● Monitor system: Preheat indicator / Engine oil pressure indicator with alarm / Alternator voltage indicator / Fuel gauge and low-fuel-level indicator / Engine coolant temperature gauge and engine coolant temperature indicator with alarm / Hour meter / Work lights indicator
● Motion alarm with cancel switch
● Work lights switch
● Propel levers and foldable pedals
● 2 travel speeds with automatic shifting
● Seat belt, 51 mm (2 in.), retractable
▲ Seat belt, 76 mm (3 in.), retractable
● Vinyl seat with fore/aft adjustment
▲ Suspension seat (cloth)
▲ Front screen
▲ Rear secondary exit kit
Electrical
● 12-volt accessory outlet
● Alternator, 55 amp
● Low-maintenance battery
● Blade-type multi-fused circuits
● Positive-terminal battery covers
Lights
● Work lights: Halogen / 1 mounted on operator's station / 1 mounted on boom

While general information, pictures, and descriptions are provided, some illustrations and text may include product options and accessories NOT AVAILABLE in all regions, and in some countries products and accessories may require modifications or additions to ensure compliance with the local regulations of those countries.

Net engine power is with standard equipment including air cleaner, exhaust system, alternator, and cooling fan at test conditions per ISO 9249. These machines are not equipped with spark-arrestor mufflers. Usage in forestry applications is not recommended. Specifications and design subject to change without notice. Wherever applicable, specifications are in accordance with SAE standards. Except where otherwise noted, these specifications are based on a canopy unit with standard arm; 610-mm (24 in.), 0.11-m³ (4.0 cu. ft.) bucket; 300-mm (12 in.) rubber track; and 540-kg (1,190 lb.) counterweight; full fuel tank; and 79-kg (175 lb.) operator.